



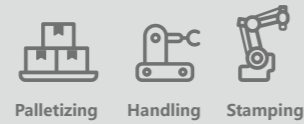
SF PA Series | Palletizing Robot
Model: SF50-C2220

The SF PA series is fast, accurate, and powerful CHAIFU industrial robots for pallet stacking on the market. A complete product portfolio obtains higher economic benefits, high precision, low cost, and very efficient productivity.

The SF PA series for palletizing, handling, and stamping industrial applications offers unparalleled productivity and high performance in the market, completing a wide range of complete solutions quickly and precisely, with a low deadweight design to reduce cycle times.

With its low cost and high productivity, the SF PA is the perfect choice to benefit from the efficiency of your plant by achieving a total capacity increase with fast and accurate output in a small space.

Applications

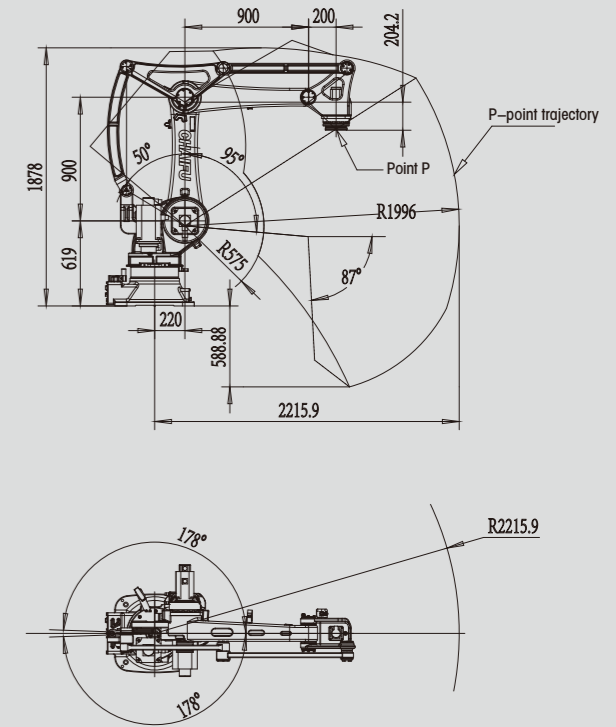


Palletizing Handling Stamping

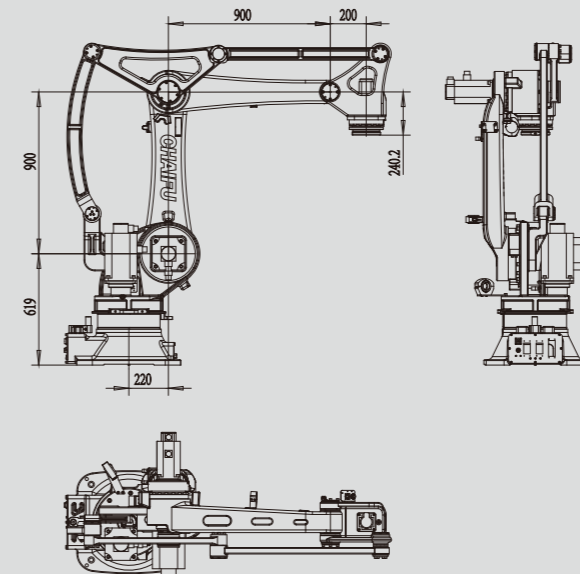
SF50-C2220 Data Overview

Model	SF50-C2220	
Structure	Vertically Articulated	
Number of Axis	4	
Radius	2216mm	
Payload	50kg	
Repeatability	±0.2mm	
Drive Mode	AC Servo Motor	
Maximum Speed	J1	125° /s
	J2	125° /s
	J3	140° /s
	J4	200° /s
	J5	/
	J6	/
Range of Motion	J1	±178°
	J2	+50° /-95°
	J3	+85° /-72°
	J4	±360°
	J2 + J3	-115°≤J2+J3≤+25°
Allowable Moment	J4	1666N.M
	J5	/
	J6	/
Allowable Inertia	J4	9.6kg.m2
	J5	/
	J6	/
Protection Rating	IP 65, Wrist IP 67	
Operating Conditions	Temp.	0-45°C
	Humidity	Below 95%RH
	Vibration	Below 4.9m/s2
	Other	Eliminate Signal Noise
Base Size	280*362mm	
Height	1755mm	
Weight	616KG	
Mounting Positions	Floor	
Power Consumption	4kVA	

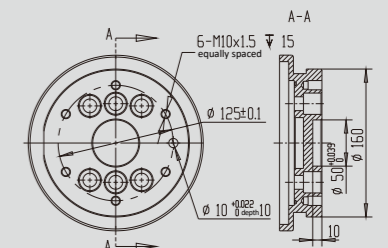
SF50-C2220 Range of Motion



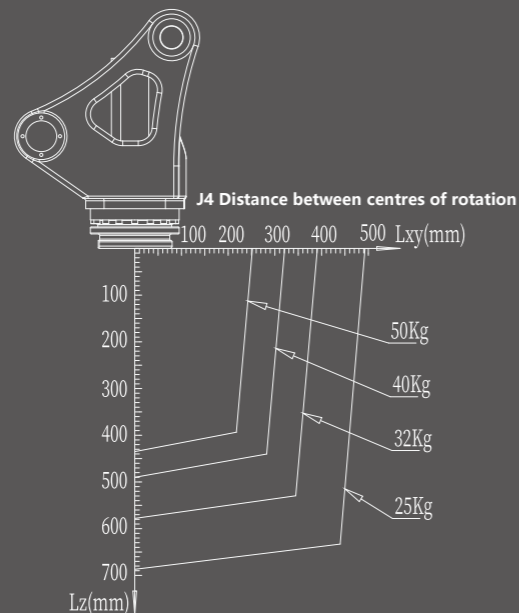
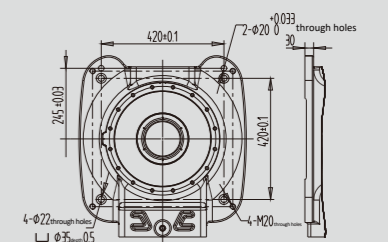
External & Installation Dimensions



A-Way Diagram (End Flange Mounting Dimensions)



B-Way Diagram (Base Mounting Dimensions)



SF50-C2220 Wrist load torque chart